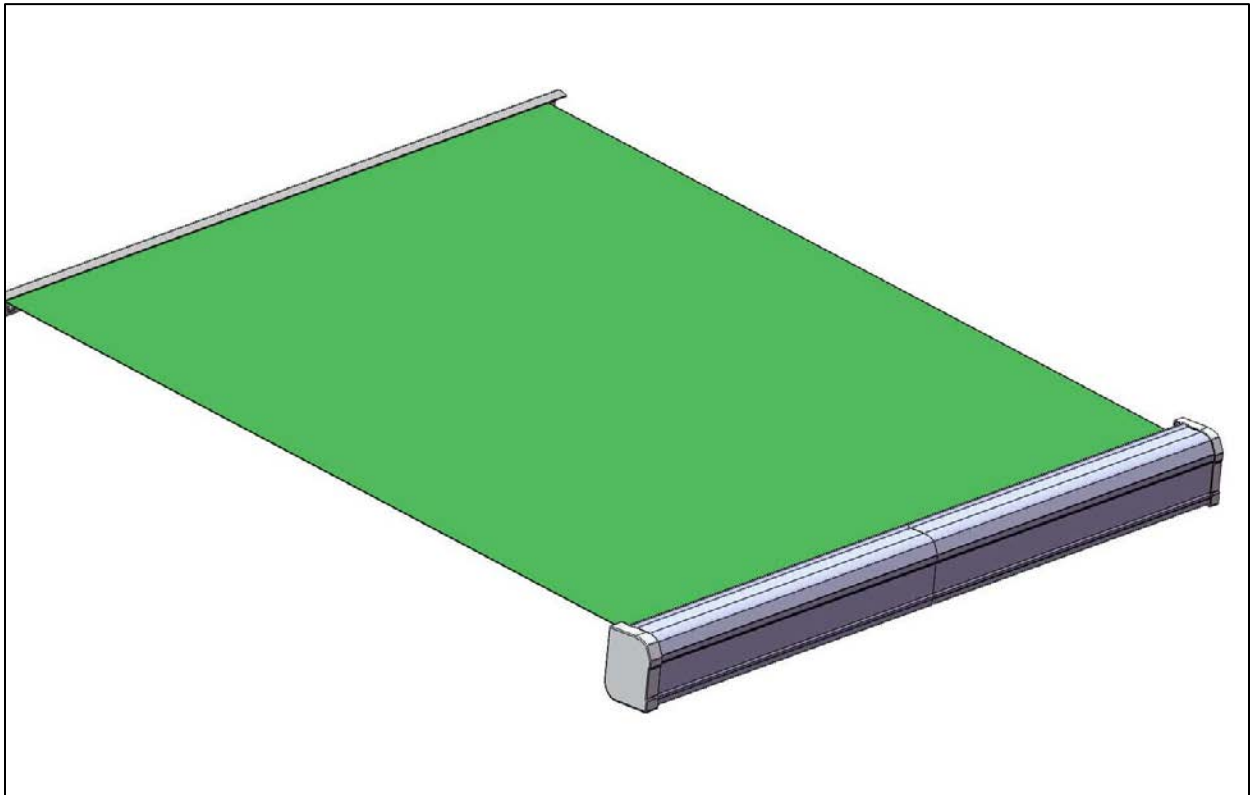


ULTRA SLIDE OUT AWNING SG5000

INSTALLATION GUIDE
REV.01262016



RV AWNING PRODUCTS

1361 CALLE AVANZADO, SAN CLEMENTE, CA 92673 (800) 382-8442 FAX (949)276-5500

www.girardrv.com



Girard Systems awnings may be operated in light wind and rain conditions. When periods of heavy rain and or high wind are expected the awning must be closed. Never leave the awning open and unattended.

Damage caused by wind and rain is not covered by warranty.

All awnings must be closed prior to moving the vehicle for any reason. As an extra safety precaution a visual check that every awning is fully closed is required.

Damage caused by failure to comply with these instructions is not covered by warranty.

Before using your awning, ensure that the area into which the awning will be deployed is free of obstructions (Trees, walls, pillars, posts, other vehicles etc.)

Damage caused by collisions with any of the above or similar is not covered by warranty.



CONTENTS

Installation Instructions	3
Mounting the awning rail	4
Mounting the awning brackets	5
Mounting the awning	6
Tensioning the fabric	7
Replacing the fabric	8
Spring replacement	10
Torsion spring table	10
Care and Maintenance	11
Exploded drawing	13
Parts List	14

INSTALLATION INSTRUCTIONS

Before beginning to install the awning please ensure the following;

- The vehicle is parked and leveled on suitable hard standing.
- Suitable precautions have been taken to protect the vehicle from accidental damage.
- The area of the vehicle where the awning is to be installed has been prepared.
- Sufficient manpower, a minimum of 2 persons is required.
- Suitable protective clothing is worn by the persons doing the installation.
- Suitable and serviceable lifting and holding equipment should be used to avoid personal injury.
- When mounting fixtures to the vehicle be aware that the soft materials that the skin of the vehicle is made from can be torn out or “Stripped” by the over tightening of fasteners.

DO NOT OVER TIGHTEN FIXING BOLTS AND SCREWS.

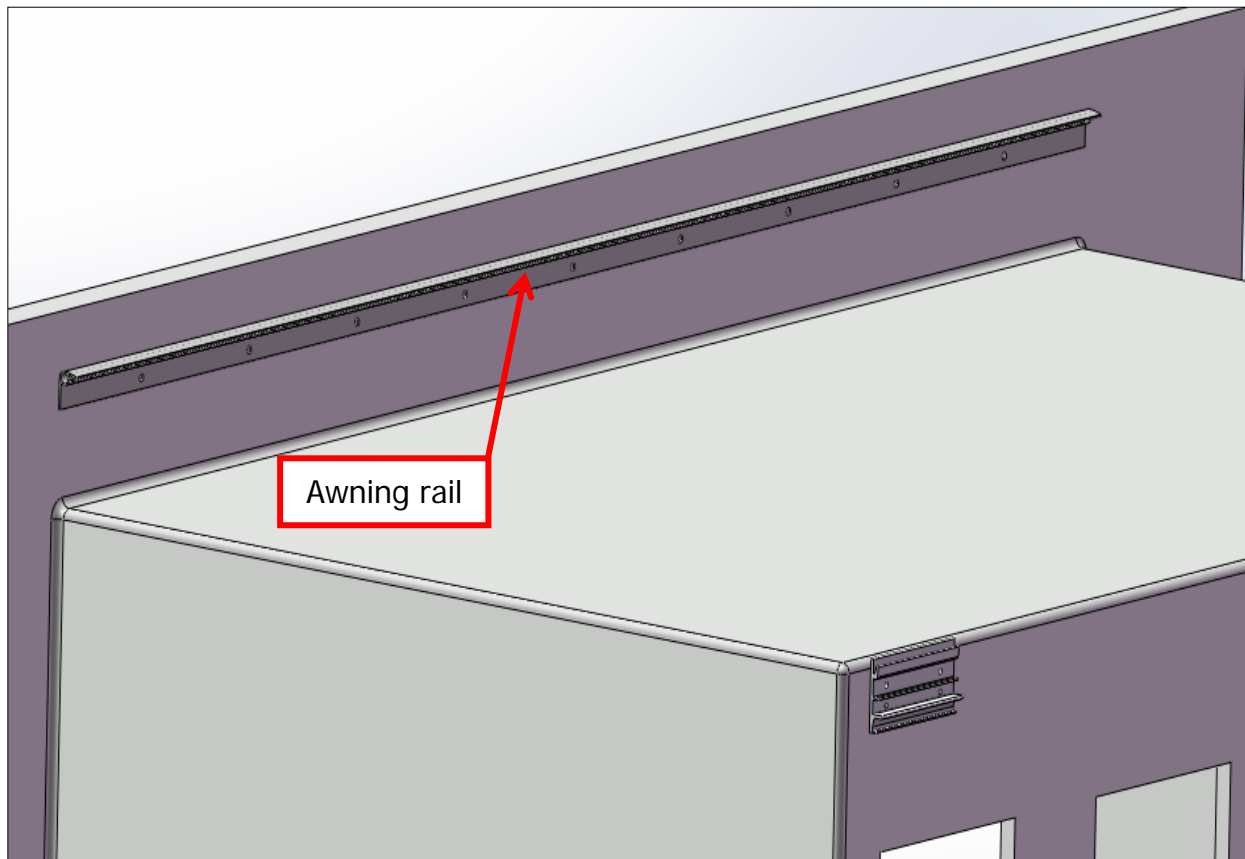
- Make every effort to ensure that fasteners are mounted to the structural framework of the vehicle not just the skin.
- Any holes made in the skin of the vehicle must be sealed with silicone sealant, putty tape or similar product.



MOUNTING THE AWNING RAIL

1. Mark a horizontal line at least 3" above the slide out room where the awning is to be installed.
2. Fix the Awning rail along this line with the screw holes along the bottom taking every precaution to ensure that it is exactly level and centered to the top of the slide out room. (Use #10 X ¾" Self tapping screws).

NOTE; remember to use sealant when fixing this part to the vehicle.

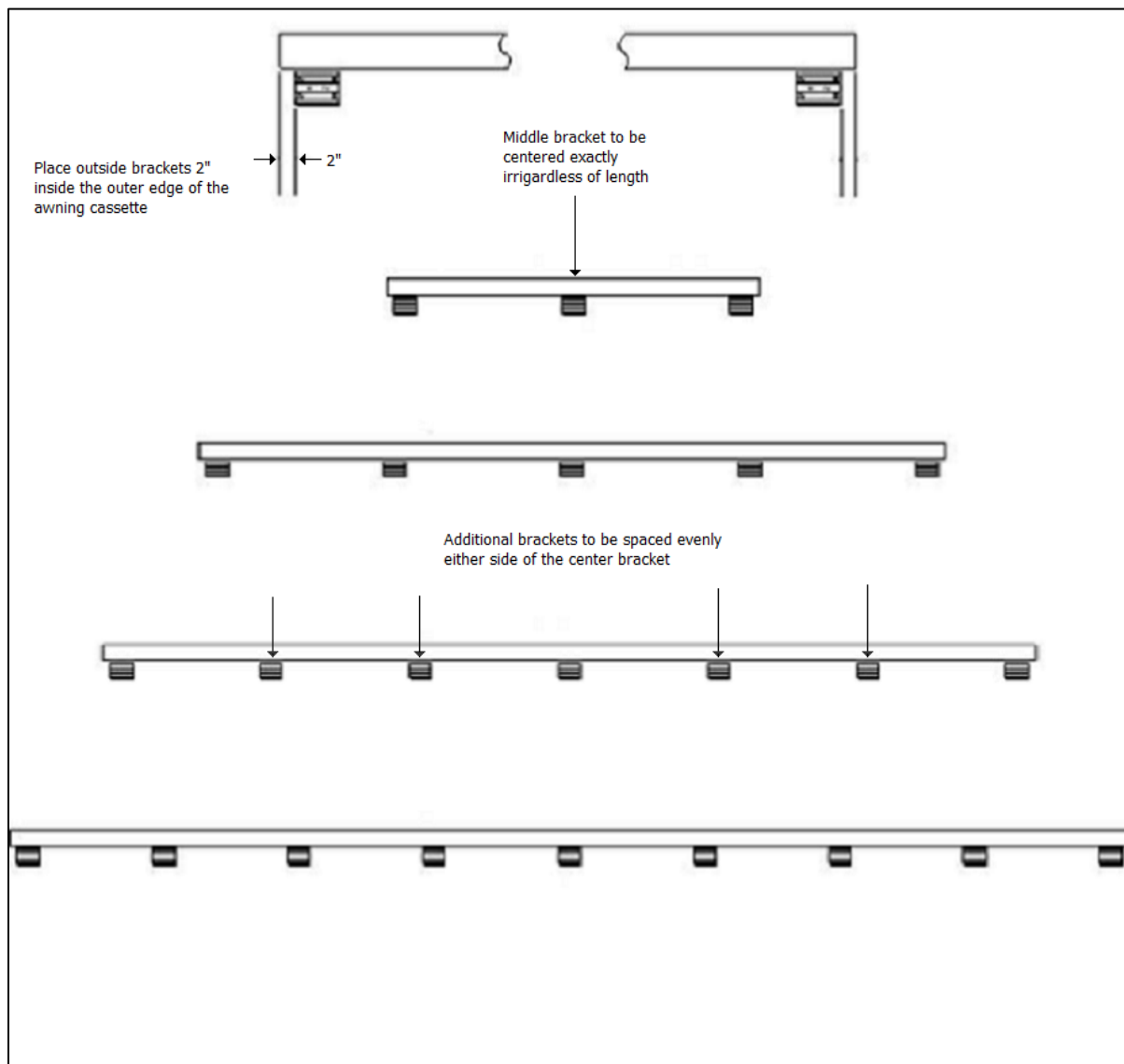




MOUNTING THE AWNING BRACKETS

Fix the awning mounting brackets flush or up to ½" higher along the top edge of the slide out in accordance with the illustration below. The number of brackets required will be determined by the length of the awning. If the awning requires an even number of brackets, disregard the center bracket and space the additional brackets evenly along the length of the awning. (Use adequately sized hardware to affix these brackets).

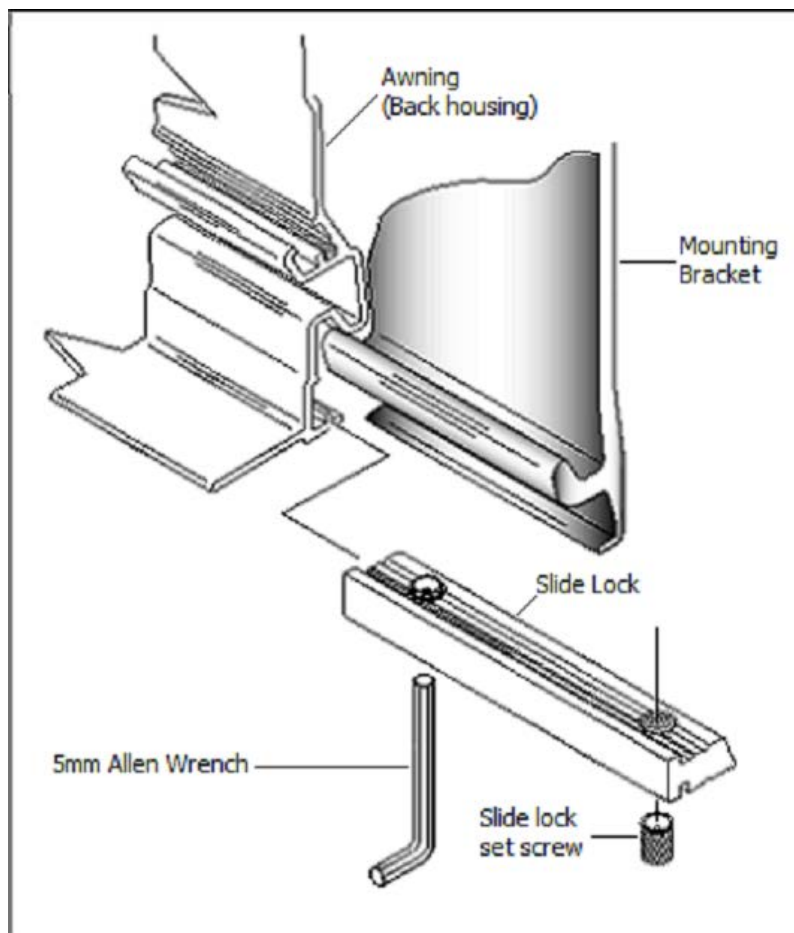
NOTE; Remember to use sealant when fixing the brackets to the vehicle.





MOUNTING THE AWNING

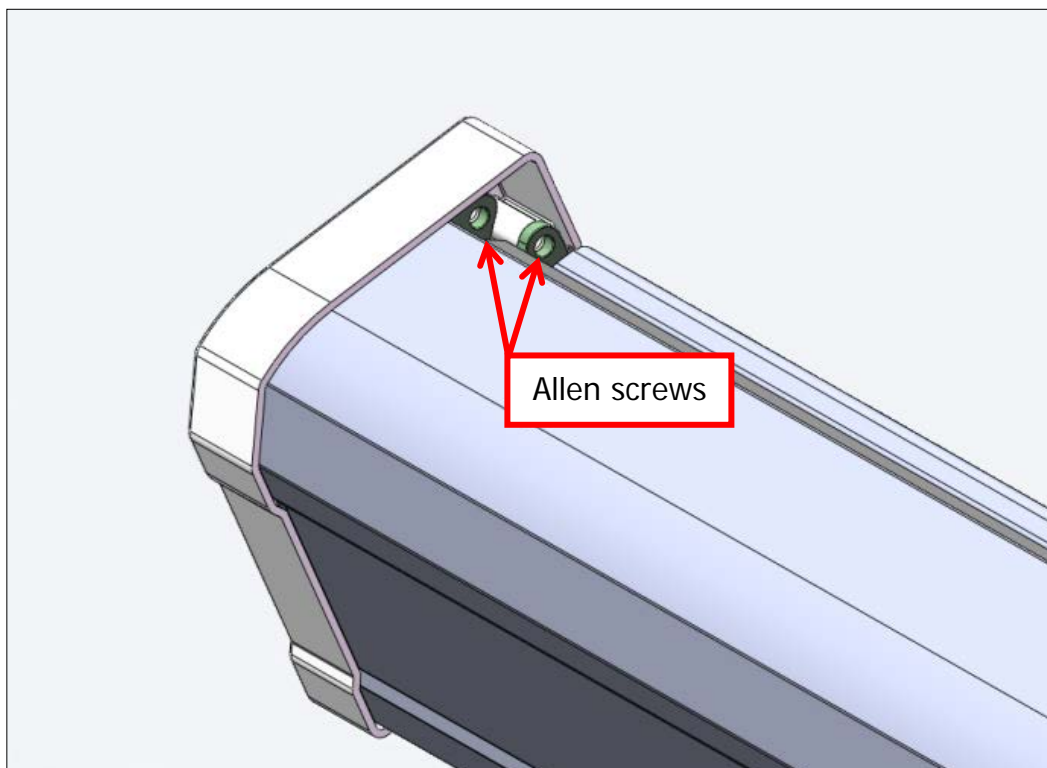
1. Now the free end of the fabric must be inserted into the awning rail. The C shaped channel in the awning rail may need to be opened slightly at one end to make this easier and a dry scillicone or PTFE spray can be used to lubricate the channel. It is also recommended that any sharp corners be covered with duct tape to prevent snagging or tearing the fabric.
2. Insert the end of the fabric and ploy rope into the awning rail and then slide the fabric and cassette assembly into the awning rail.
3. **NOTE; This step wil require cooperation of two installers. Take care not to damage the sidewall of the vehicle or the slide out room.**
4. Mount the cassette onto the brackets and secure in position by engaging the slide locks using an Allen wrench. Slide locks should be centered, one in each mounting bracket.





TENSIONING THE FABRIC

1. Once the awning is in place using a 1/8" drill to make a pilot hole approximately 1" in from either end of the awning rail.
2. Ensure that the fabric is correctly aligned with the awning and then pull the edges of the fabric away from each other.
3. Insert the fabric screws to secure the top end of the fabric in place. Doing this will help to reduce the sagging in the middle of the awning.
4. Open the slide out room until the fabric is flat but not tight.
5. Remove the awning end caps using a 3mm Allen wrench (If fitted).

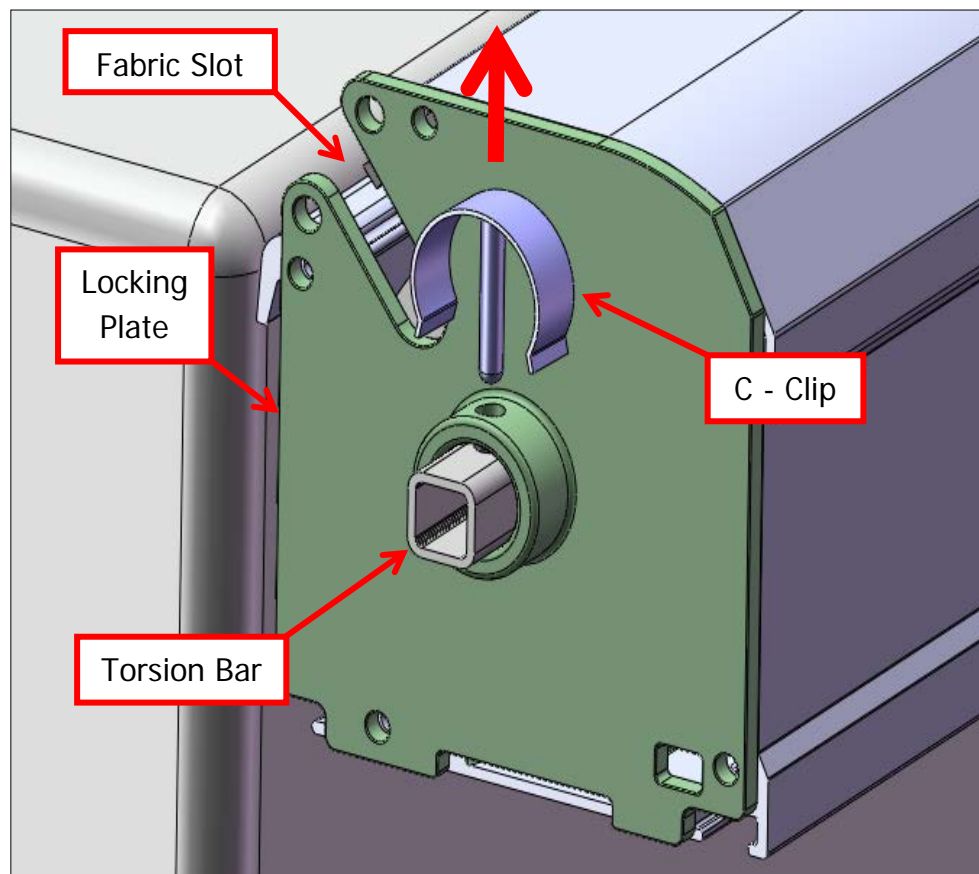


6. Grip the edge of the fabric near to the cassette and pull the fabric out toward the vehicle slightly and remove the cotter pin. Now release your grip on the fabric and the action of the torsion spring will correctly tension the fabric.
7. Replace the end caps, and then close the slide out room.



REPLACING THE FABRIC

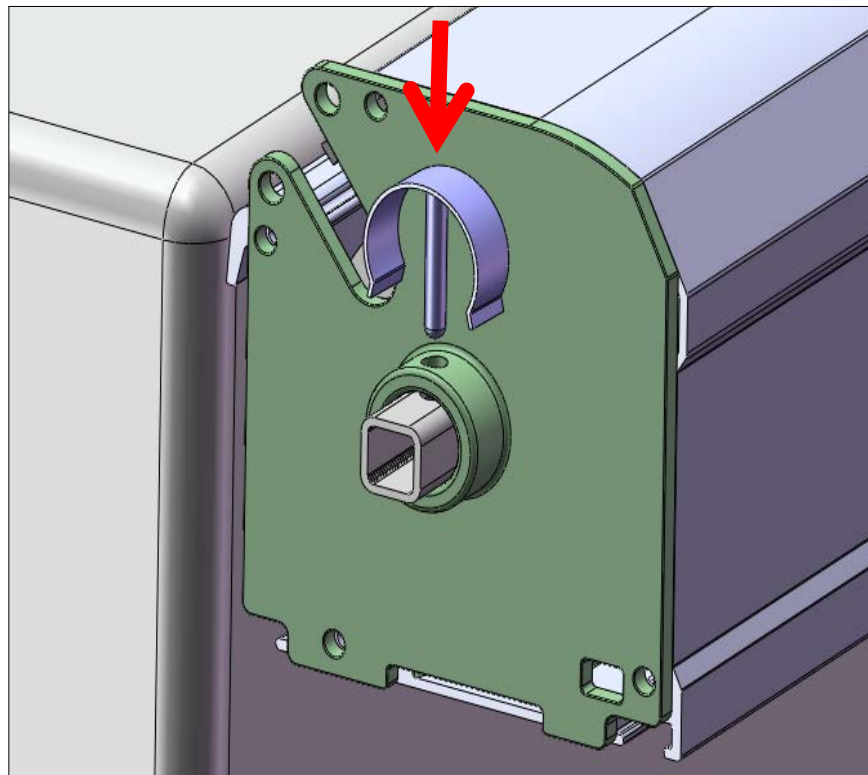
1. Extend the slide out room about 12".
2. Remove the end caps.
3. Using a 14mm Wrench hold the square torsion bar while removing the C-clip. **DO NOT RELEASE THE TORSION BAR.** Now slowly under control allow the torsion spring to unwind by turning the wrench in a COUNTER-CLOCKWISE direction.



4. Pay out the fabric until the end of the fabric and the poly rope are aligned with the slot in the locking plate.
5. Remove any fabric screws and slide the fabric out of the roller tube and awning rail.
6. Insert new fabric into the roller tube and the awning rail simultaneously.



7. Ensure that the fabric is centered and pulled taut in the roller tube and secure in place with fabric screws.
8. Fully extend the slide out room.
9. Ensure the fabric is aligned and pulled taut in the awning rail and secure in place with fabric screws.
10. Using the 14mm wrench tension the torsion spring by turning it in a CLOCKWISE direction and insert the C-clip. **DO NOT RELEASE THE TORSION BAR UNTILL THE C-CLIP IS IN PLACE.** (Refer to the Torsion Spring Table on page 10)
NOTE; The hole in the torsion bar must be correctly aligned for the C-Clip to be inserted.



11. Close the slide out room and ensure that all of the awning fabric has been pulled into the cassette, and any exposed fabric is pulled taut. If this is not the case then additional tension is required on the torsion spring. Repeat steps 1, 3, 8 and 10 but increase the number of turns indicated in the torsion spring table as required in ½ turn increments until sufficient tension is applied to the fabric.



SPRING REPLACEMENT

1. Remove the Awning end cap.
2. Remove the C-clip and locking plate.
3. Remove all parts of the broken spring assembly.
4. Insert the replacement spring assembly.
5. Replace the locking plate.
6. Using a 14mm wrench and the table below, correctly tension the spring.
7. Replace the C-clip.
8. Open and close the slide out to assess the fabric tension.
9. Adjust if necessary in ½ turn increments.
10. When the fabric tension is correct replace the end cap.

TORSION SPRING TABLE

AWNING LENGTH	TURNS	SPRINGS
UP TO 92" (2.337M)	5	1
UP TO 138" (3.506M)	6	1
UP TO 168" (4.268M)	7	1
UP TO 176" (4.471M)	8	1
UP TO 191" (4.852M)	3	2
UP TO 297" (5.436M)	4	2

IMPORTANT NOTE

If the awning is sufficiently long enough to require 2 springs, remember that the RH spring will need to be tensioned in the opposite direction to the LH spring.

Left and right are dictated by the orientation of the awning when it is mounted to the vehicle. LH springs are tensioned in a CLOCKWISE direction; therefore RH springs are tensioned in a COUNTER – CLOCKWISE direction.

Please ensure that the springs are tensioned the exact same number of turns, down to the ½ turn, as this will ensure an even tension across the width of the fabric.



CARE AND MAINTENANCE GUIDE

AWNING FABRICS

For all cleaning, stain removal, care and maintenance of Acrylic and Polyester fabrics the recommendations are the same.

Fabric Care Guidelines

1. Brush off surface dirt with a clean soft bristle brush.
2. Hose down the fabric with clean water.
3. Use only natural soap or dishwashing liquid.
4. Prepare soap mixture in a clean bucket.
5. Dunk a clean, soft bristle brush into the mixture.
6. Use sweeping motions to clean the awning.
7. Allow soap to soak in and capture dirt.
8. Rinse thoroughly to remove all residues.

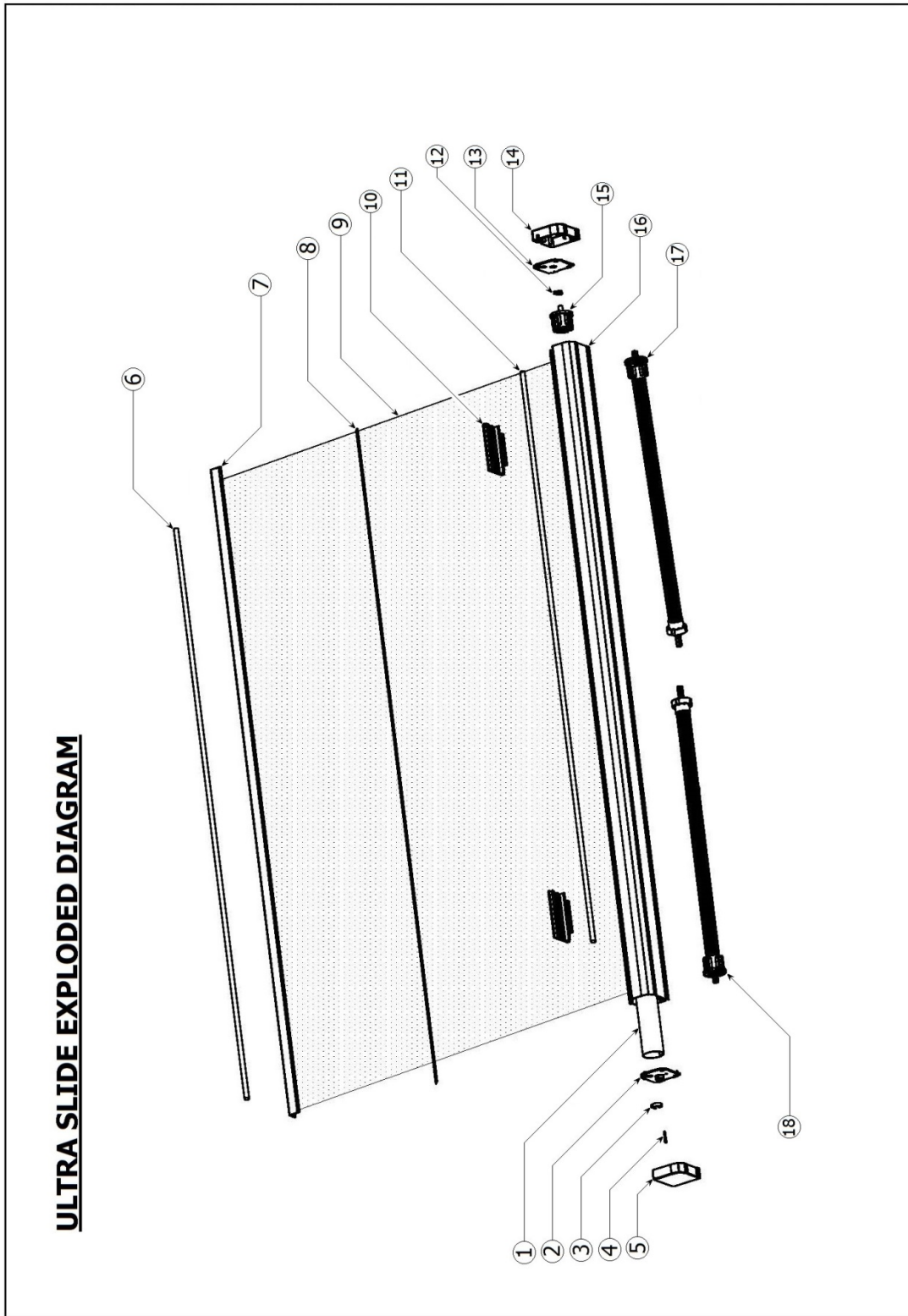
AIR DRY ONLY! Pressing, steaming, or machine drying will shrink awning fabric.

STAIN SOLUTIONS

<u>STAIN</u>	<u>RECOMMENDED CLEANING SOLUTIONS</u>
BEER	Dishwashing liquid (2 oz.)/1 gallon water/white vinegar (3 oz.)
BERRY	Dishwashing liquid (2 oz.) /1 gallon water / ammonia (4-8 oz.)
BIRD DROPPINGS	Dishwashing liquid (2 oz.)/1 gallon water.
BLOOD (DRIED)	Dishwashing liquid (2 oz.) / 1 gallon water / ammonia (4-8 oz.)
BUTTER	volatile solvent (acetone) 100%
CHARCOAL, PENCIL MARKS	vacuum, then dishwashing liquid (2 oz.) / 1 gallon water
CATSUP OR MUSTARD	Dawn® dishwashing liquid (2 oz.) / 1 gallon water
CHEWING GUM	volatile solvent (acetone) 100%
CHOCOLATE	Dishwashing liquid (2 oz.) / 1 gallon water / ammonia (4 oz.)
COFFEE	Dishwashing liquid / water, white vinegar, acetone
COLA	Dishwashing liquid (2 oz.) / 1 gallon water
CRAYON	Paint remover (100%), oil or grease remover (mix as directed)
EGG (RAW)	Dishwashing liquid (2 oz.) / 1 gallon water



GRAPE JUICE	Dishwashing liquid (2 oz.) / 1 gallon water
GRAVY	Dishwashing liquid (2 oz.) / 1 gallon water
GREASE (CAR)	volatile solvent (acetone) 100%
INK (PERMANENT, INDIA, BALLPOINT)	Paint remover (100%), volatile solvent (acetone) 100%, soap and water
IRON RUST	Oxalic or Citric acid (2oz.) / 1 gallon water
LIPSTICK	Paint remover, oil or grease remover (mix as directed)
MASCARA	Paint remover (100%), volatile solvent (acetone-100%), dishwashing liquid (2 oz.) / 1 gallon water
MILDEW	Bleach (1/2 cup) /dishwashing liquid (2 oz.) / 1 gallon water
MILK	Dishwashing liquid (2 oz.) / 1 gallon water
NAIL POLISH	volatile solvent (acetone) 100%
OIL	volatile solvent (acetone) 100%
ORANGE DRINK	Dishwashing liquid (2 oz.) / 1 gallon water
PAINT (LATEX) WET	Dishwashing liquid (2 oz.) / 1 gallon water
PAINT (LATEX) DRIED	Paint remover (100%), oil or grease remover (mix as directed)
PAINT (OIL OR LACQUER)	Paint remover (100%), oil or grease remover (mix as directed)
SHOE POLISH (LIQUID)	volatile solvent (acetone) 100%
SHOE POLISH (WAX)	apply heated iron over towel, volatile solvent (acetone) 100%
SUNTAN LOTION	Pine oil detergent / water (mix as directed)
TEA	Dishwashing liquid (2 oz.) / 1 gallon water
TOMATO JUICE	Dishwashing liquid (2 oz.) / 1 gallon water
TREE SAP	Turpentine (100%), dishwashing liquid (2 oz.) / 1 gallon water
URINE	Dishwashing liquid (2 oz.)/1 gallon water/white vinegar (3 oz.)
VOMIT	Dishwashing liquid (2 oz.)/1 gallon water/white vinegar (3 oz.)
FOOD COLOR	Dishwashing liquid (2 oz.)/1 gallon water/white vinegar (3 oz.)
WAX (CANDLE)	apply heated iron over towel, volatile solvent (acetone) 100%
WINE	Dishwashing liquid (2 oz.) / 1 gallon water / ammonia (4-8 oz.) / white vinegar (3 oz.)





ULTRA SLIDE PARTS LIST

ITEM No.	DESCRIPTION	PART No.
1	Roller Tube 92"	5410092-01
1	Roller Tube 138"	5410138-01
1	Roller Tube 176"	5410176-01
1	Roller Tube 198"	5410198-01
1	Roller Tube 220"	5410220-01
1	Roller Tube 297"	5410297-01
2	Lock Plate LH	541L001-02
3	C Pin	5410002-03
4	R Pin	5410003-04
5	End Cap Lead Rail BLK LH	541L004-05B
6	Poly Rope, top 92"	5410092-06
6	Poly Rope, top 138"	5410138-06
6	Poly Rope, top 176"	5410176-06
6	Poly Rope, top 198"	5410198-06
6	Poly Rope, top 220"	5410220-06
6	Poly Rope, top 297"	5410297-06
7	Awning Rail 92"	5410092-07B
7	Awning Rail 138"	5410138-07B
7	Awning Rail 176"	5410176-07B
7	Awning Rail 198"	5410198-07B
7	Awning Rail 220"	5410220-07B
7	Awning Rail 297"	5410297-07B
8	Brush 92"	5410092-08B
8	Brush 138"	5410138-08B
8	Brush 176"	5410176-08B
8	Brush 198"	5410198-08B
8	Brush 220"	5410220-08B
8	Brush 297"	5410297-08B
9	Fabric Assy 92"	5410092-09
9	Fabric Assy 138"	5410138-09
9	Fabric Assy 176"	5410176-09
9	Fabric Assy 198"	5410198-09
9	Fabric Assy 220"	5410220-09
9	Fabric Assy 297"	5410297-09
10	Mounting Bracket	5410005-10B
11	Poly Rope, cover housing 92"	5410092-11
11	Poly Rope, cover housing 138"	5410138-11
11	Poly Rope, cover housing 176"	5410176-11
11	Poly Rope, cover housing 198"	5410198-11



11	Poly Rope, cover housing 220"	5410220-11
11	Poly Rope, cover housing 297"	5410297-11
12	Bushing	5410006-12
13	Lock Plate RH	541R001-13
14	End Cap Lead Rail BLK RH	541R004-14B
15	Gudgeon	5410007-15
16	Cover Housing 92"	5410092-16B
16	Cover Housing 138"	5410138-16B
16	Cover Housing 176"	5410176-16B
16	Cover Housing 198"	5410198-16B
16	Cover Housing 220"	5410220-16B
16	Cover Housing 297"	5410297-16B
17	Spring RH	541R008-17
18	Spring LH	541L008-18